

iDS-TCM403-GIR 4 MP ANPR Smart Monitoring Camera



- High quality imaging with 4 MP resolution (1/1.8" CMOS)
- Clear imaging against strong back light due to 140 dB WDR technology
- Built-in ANPR engine, equipped with AI algorithm
- Efficient H.265+ compression technology to save bandwidth and storage
- Water and dust resistant (IP67) and vandal proof (IK10)

▪ Specification

Camera	
Image Sensor	1/1.8" progressive scan CMOS
Max. Resolution	2688 × 1520
Min. Illumination	Color: 0.001 Lux @ (F1.2, AGC ON)
Shutter Time	1/25 s to 1/100,000 s
Day & Night	IR cut filter
Lens	
Focal Length & FOV	2.8-12 mm: Horizontal: 113.5° to 39°, vertical: 58.4° to 22.7°, diagonal: 141.3° to 44.3° 8-32 mm: Horizontal: 41.9° to 15.1°, vertical: 22.9° to 8.64°, diagonal: 48.8° to 17.3°
Focus	Auto
Iris Type	DC-IRIS
Aperture	2.8-12 mm: F1.38 8-32 mm: F1.7
Illuminator	
Built-in Supplement Light Type	IR light
Built-in Supplement Light Range	Up to 40 m
IR Wavelength	850 nm
Radar	
Detection Distance	20 to 50 m
Speed Measuring Range	10 to 100 km/h
Horizontal Detection Angle	± 22°
Vertical Detection Angle	± 10°
Speed Measuring Accuracy	± 2 km/h
Video	
Main Stream	50 Hz: 25 fps (2688 × 1520, 1920 × 1080, 1280 × 760, 704 × 576, 352 × 288) 60 Hz: 30 fps (2688 × 1520, 1920 × 1080, 1280 × 760, 704 × 576, 352 × 288)
Sub-Stream	50 Hz: 25 fps (1920 × 1080, 1280 × 760, 704 × 576, 352 × 288) 60 Hz: 30 fps (1920 × 1080, 1280 × 760, 704 × 576, 352 × 288)
Third Stream	50 Hz: 25 fps (1280 × 760, 704 × 576, 352 × 288) 60 Hz: 30 fps (1280 × 760, 704 × 576, 352 × 288)
Video Compression	H.264 and H.265 encoding Main stream: H.265/H.264/MJPEG Sub-stream: H.265/H.264/MJPEG
Video Bit Rate	32 Kbps to 16 Mbps
H.264 Type	Baseline profile/Main profile/High profile
H.265 Type	Main profile
Audio	
Audio Compression	G.711/G.722.1
Audio Bit Rate	8 Kbps (G.711)/16 Kbps (G.722.1)
Network	
Protocols	TCP/IP, ICMP, HTTP, HTTPS, FTP, SFTP, DHCP, DNS, DDNS, RTP, RTSP, RTCP, NTP, SMTP, SNMP, IGMP, QoS, IPv4/IPv6, UDP, SSL/TLS, ISUP, ARP, 802.1X
Simultaneous Live View	Up to 6 channels
API	ONVIF (PROFILE S, PROFILE G, PROFILE T), ISAPI, SDK, ISUP

User/Host	Up to 32 users 3 user levels: administrator, operator, and user
Security	Password protection, Complicated password, HTTPS encryption, 802.1X authentication (EAP-PEAP, EAP-LEAP, EAP-MD5), Watermark, IP address filter, Basic and digest authentication for HTTP/HTTPS, WSSE and digest authentication for ONVIF, RTP/RTSP over HTTPS, Control timeout settings, Security audit log, TLS 1.2, 1.3, Host authentication (MAC address)
Network Storage	Micro SD/TF card (512 GB), local storage and CVR, NVR, ANPR
Web Browser	Chrome V61+, IE9 to IE11, Firefox V41+, Edge
Image	
Image Settings	Rotation mode, saturation, brightness, contrast, sharpness, AGC, and white balance are adjustable via client software or web browser.
Day/Night Switch	Auto/Scheduled/Manual
Wide Dynamic Range (WDR)	140 dB
Image Enhancement	BLC, 3D DNR
Interface	
Ethernet Interface	1 RJ-45 10 M/100 M/1000 M Ethernet interface
On-Board Storage	Built-in memory card slot, supporting micro SD/SDHC/SDXC card, up to 512 GB
Audio	Supported
Alarm	1 input interface, 1 output interface, 2 relays
RS-485	1 RS-485 interface
Wiegand	1 Wiegand (Card ID 26 bit, SHA-1 26 bit, Hik 34 bit)
Event	
Basic Event	HDD Error, Network Disconnected, IP Address Conflicted, Vehicle Detector Exception, Traffic Light Detector Exception
Road Traffic and Vehicle Detection	
Coverage	Up to 3 lanes
Smart Function	License plate recognition Vehicle type classification, color identification, no-plate vehicle capture, vehicle driving direction detection

LPR Countries/Regions	<p>Middle East: The United Arab Emirates (Abu Dhabi, Ajman, Dubai, Fujairah, Ras Al Khaimah, Sharjah and Umm Al Quwain), Qatar, Iraq, Egypt, Jordan, Kuwait, Saudi Arabia, Pakistan, Oman, Lebanon, Bahrain.</p> <p>Africa: Nigeria, Kenya, Ivory Coast, South Africa, Tanzania, Mauritius, Morocco, Tunisia, Sierra Leone, Zambia, Ghana, Zimbabwe, Uganda, Angola, Ethiopia, Senegal, Algeria.</p> <p>Asia-Pacific: Australia, New Zealand, Indonesia, Malaysia, Singapore, South Korea, Thailand, Vietnam, the Philippines, Hong Kong, Macao, Taiwan, Myanmar, India, Mongolia, Cambodia, Laos, Bangladesh, Nepal, Sri Lanka.</p> <p>America: Canada, Argentina, Chile, Paraguay, Uruguay, El Salvador, Bolivia, Colombia, Brazil, Ecuador, Peru, Mexico, Panama, Costa Rica, Trinidad and Tobago, the Dominican Republic, Guatemala.</p> <p>Europe: Turkey, Croatia, Slovakia, Czech Republic, Bulgaria, the Republic of North Macedonia, Hungary, Greece, Poland, France, Netherlands, Switzerland, Spain, the UK, Ireland, Germany, Italy, Austria, Israel, Palestinian, Belgium, Luxembourg, Albania, Kosovo, Serbia, Romania, Montenegro, Denmark, Finland, Sweden, Slovenia, Portugal, Malta, Cyprus, Iceland, Liechtenstein, Bosnia and Herzegovina.</p> <p>Russian-Speaking Regions: Azerbaijan, Belarus, Kazakhstan, Lithuania, Georgia, Estonia, Latvia, Russia, Ukraine, Moldova, Uzbekistan, Kyrgyzstan, Armenia, Turkmenistan, Tajikistan.</p>
Accuracy (Under recommended installation and lighting conditions)	<p>Capture rate > 99%,</p> <p>Vehicle moving direction recognition accuracy > 98.5%,</p> <p>LPR accuracy > 98%,</p> <p>Mistaken capture rate < 2%</p>
No License Plate Detection	Supported
Motorcycle LPR	Supported
Vehicle Type	Car, Van, Bus, Truck, Light Truck, SUV (MPV), Pickup, Motorcycle, Tricycle
Vehicle Color	Red, yellow, green, blue, pink, purple, cyan, brown, white, grey, black Recognizable at daytime only.
Vehicle Manufacturer	83 manufacturers: Hyundai, Toyota, KIA, Honda, Volkswagen, Benz, Nissan, Ford, Isuzu, BMW, Chevrolet, Mitsubishi, Renault, Opel, Suzuki, Skoda, Daewoo, Audi, Mazda, GAC HINO, Peugeot, SsangYong, Citroen, Fiat, Scania, MAN, Volvo, Lexus, Seat, Land Rover, Daihatsu, Dongwo, Subaru, Iveco, MINI, JEEP, Porsche, Chery, Dodge, Chrysler, Acura, Alfa Romeo, Great Wall, Infiniti, Smart, Saic Maxus, JAC, Jaguar, GMC, Lincoln, JMC, SAAB, FAW, Yutong, Guangzhou Yunbao, Joylong, Geely, Cadillac, JBC, An'kai, Haima, Foton, King Long, Dongfeng, Geely-Emgrand, Perodua, UD, BYD, Renault Samsung, Proton, HICOM, Hyundai-Rohens, SsangYong-Old Version, Equus-Old Version, CNHTC, Rolls-Royce, Beiben Truck, Haval, Hino, Kia-Borrego, Chang'an, Alfa, FORO
Capture Speed Range	5 to 120 km/h
General	
Operating System	Linux
Power	DC 12 V to 24 V, 1.25 A, max. 15 W, two-core terminal block, PoE: 802.3 AT, Type 2, Class 4, max. 15 W
Material	Aluminum alloy
Dimension	429.5 mm × 120 mm × 184.2 mm (16.9" × 4.72" × 7.3") (L × W × H)
Package Dimension	520 mm × 408 mm × 213 mm (20.5" × 16.1" × 8.4") (L × W × H)

Weight	Approx. 2.3 kg (5.07 lb.)
With Package Weight	Approx. 4.8 kg (10.58 lb.)
Operating Condition	-30 °C to 70 °C (-22 °F to 158 °F). Humidity 95% or less (non-condensing)
General Function	One-key reset, three streams, heartbeat, password protection, watermark
Language	8 languages: English, Russian, Croatian, Korean, Russian, Traditional Chinese, Ukrainian, Spanish
Storage Condition	-30 °C to 60 °C (-22 °F to 40 °F). Humidity 95% or less (non-condensing)
Approval	
EMC	CE-EMC: EN 55032: 2015/A11:2020+A1:2020, EN IEC61000-3-2: 2019/A1:2021, EN 61000-3-3: 2013+A1:2019/A2:2021, EN 50130-4: 2011 +A1: 2014
Safety	CB: IEC 62368-1: 2014+A11, CB: IEC 62368-1: 2018+A11, CE-LVD: EN 62368-1: 2014/A11: 2017
Environment	CE-RoHS: 2011/65/EU, WEEE: 2012/19/EU, Reach: Regulation (EC) No 1907/2006
Protection	IK10: IEC 62262:2002, IP67: IEC 60529-2013
Anti-Corrosion Protection	-Y: NEMA 4X (NEMA 250-2018)

▪ Typical Application

Hikvision products are classified into three levels according to their anti-corrosion performance. Refer to the following description to choose for your using environment.

-Y model: This model has MODERATE PROTECTION.

Without -Y model: This model has NO SPECIFIC PROTECTION.

Level	Description
Top-level protection	Hikvision products at this level are equipped for use in areas where professional anti-corrosion protection is a must. Typical application scenarios include coastlines, docks, chemical plants, and more.
Moderate protection	Hikvision products at this level are equipped for use in areas with moderate anti-corrosion demands. Typical application scenarios include coastal areas about 2 kilometers (1.24 miles) away from coastlines, as well as areas affected by acid rain.
No specific protection	Hikvision products at this level are equipped for use in areas where no specific anti-corrosion protection is needed.

▪ Available Model

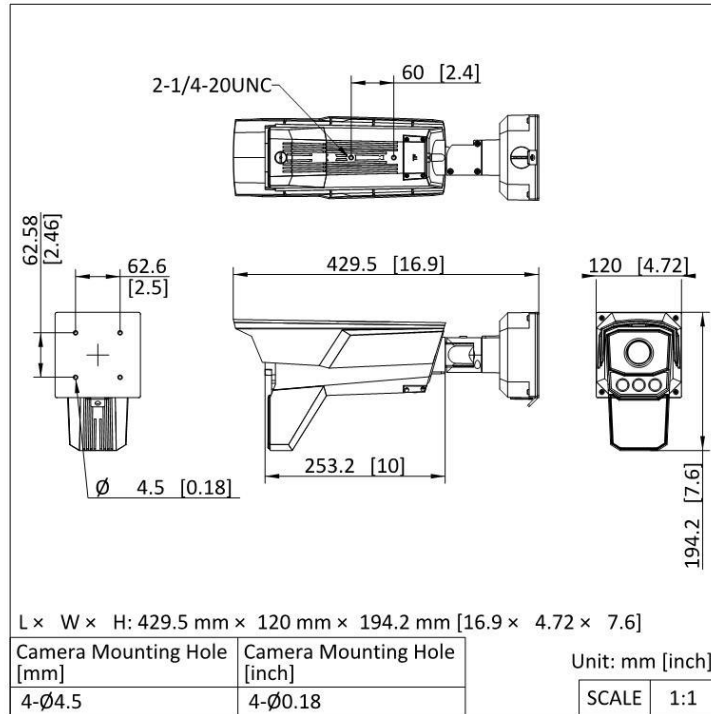
iDS-TCM403-GIR/POE/0832

iDS-TCM403-GIR/POE/2812

iDS-TCM403-GIR/Y/POE/0832






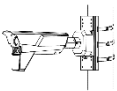
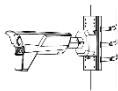
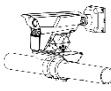
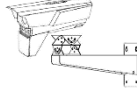
iDS-TCM403-GIR/Y/POE/2812 (customization)

Dimension



▪ **Accessory**

▪ **Optional**

DS-1275ZJ-BJH/600 mm Hoop & Bracket	DS-1275ZJ-BJH/127 mm Hoop & Bracket	DS-1278ZJ-HWB Hoop & Bracket	DS-1701ZJ/BJH Hoop & Bracket	DS-1232ZJ-T/BJH Cardan Joint
				
				

Headquarters

No.555 Qianmo Road, Binjiang District,
Hangzhou 310051, China
T +86-571-8807-5998
www.hikvision.com



Follow us on social media to get the latest product and solution information.



Hikvision



HikvisionHQ



HikvisionHQ



Hikvision_Global



Hikvision
Corporate Channel



hikvisionhq