

# Genesis Hard-Wired PIR Detector

For event driven CCTV



2a Bellevue Road, Friern Barnet, London N11 3ER  
T. 020 8368 7887 F. 020 8368 3952  
info@luminite.co.uk

## Product Overview

The LGHW range of Wired Passive Infra Red Detectors (PIR) have been designed to meet the newest and most demanding requirements of the CCTV market.

These detectors not only meet but surpass the requirements needed for a BS8418 Remote Monitored System. Inside the PIR is a powerful microprocessor which uses sophisticated algorithms to determine the validity of activations and with a combination of Fresnel and mirror optical technology, nuisance alarms are significantly reduced whilst enhancing and maintaining optimum detection.

These detectors have low power MOS relays for the alarm and tamper outputs and contain a shock and three axis sensor to enhance the anti-tamper features which now includes physical attack, anti-cloaking and unauthorised reorientation detection.

A thermal sensor adjusts the parameters of the PIR in extremes of heat and cold to maintain optimum performance.



## Specifications

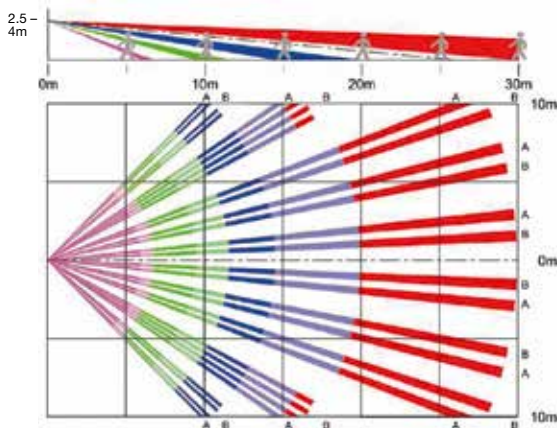
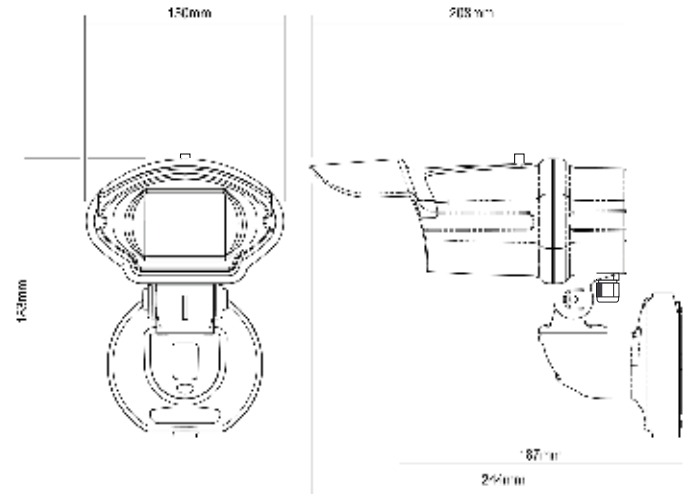
	LGHW3020	LGHW1520	LGHW4004	LGHW12HC	LGHW12VC
BS8418 compliant	✓	✓	✓	✓	✓
Detector lens	30mx20m	15mx20m	40mx4.5m	12m horizontal curtain	12m vertical curtain
Grade 2 EN50131-1	✓	✓	✓	✓	✓
Guarantee (2 years)	✓	✓	✓	✓	✓
Mounting height	2.5 – 4m				
Enclosure tamper	✓	✓	✓	✓	✓
Shock sensor	✓	✓	✓	✓	✓
Anti masking (Cloak) IR	✓	✓	✓	✓	✓
3 Axis orientation sensor	✓	✓	✓	✓	✓
Pyro sensors	Twin dual elements	Single dual elements	Single dual elements	Single dual elements	Single dual elements
Mirror optics	✓				
Fresnel optics	✓	✓	✓	✓	✓
Temperature compensation	✓	✓	✓	✓	✓
Day light compensation	✓	✓	✓	✓	✓
Enclosure	Weatherproof to IP66. 3mm polycarbonate				
Temperature range	-10°C to +60°C				



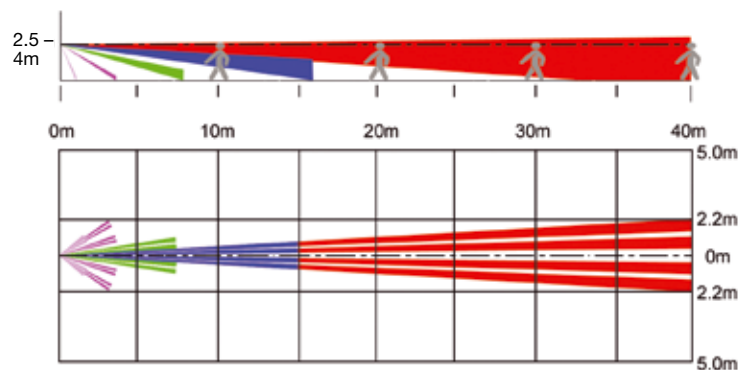
## Available Detection Patterns

There are currently five popular lens patterns to choose from:

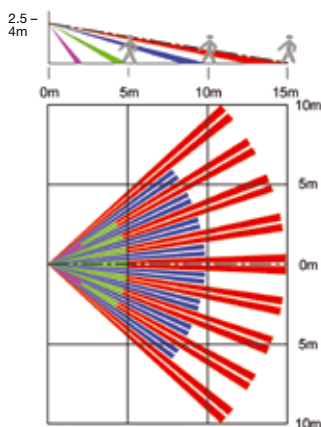
- Long Wide Range (LGHW3020)  
Provides coverage of 30 metres out by 20 metres across.
- Medium Wide Range (LGHW1520)  
Provides coverage of 15 metres out by 20 metres across.
- Long Narrow Range (LGHW4004)  
Provides coverage of 40 metres out by 4.5 metres across. This is ideal for perimeter coverage.
- The horizontal and vertical Curtain types (LGHW12HC) and (LGHW12VC) are just flat fan shaped patterns without the intermediate zones. These are used to look along fence lines or down the sides of a buildings. If the horizontal version is set to look straight ahead, animals will be able to wander underneath the detection zone without causing nuisance alarms.



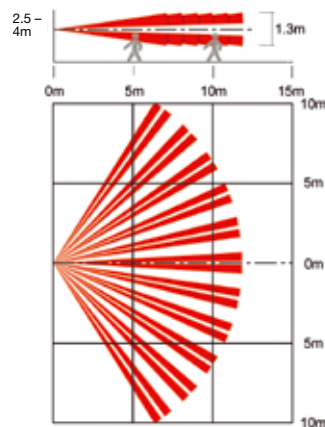
**LGHW3020 ZONE PATTERN**  
LONG WIDE RANGE



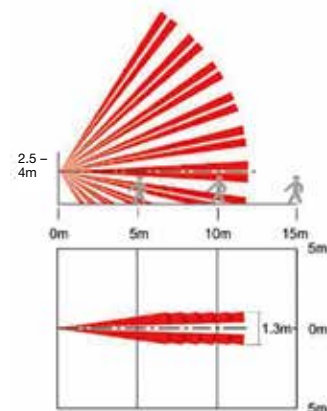
**LGHW4004 ZONE PATTERN**  
LONG NARROW RANGE



**LGHW1520 ZONE PATTERN**  
MEDIUM WIDE RANGE



**LGHW12HC ZONE PATTERN**  
HORIZONTAL CURTAIN



**LGHW12VC ZONE PATTERN**  
VERTICAL CURTAIN

