

DS-2XC6645G0-IZHRS

4 MP Anti-Corrosion Network Bullet Camera



- 316L stainless steel enclosure, protecting cameras to be used in corrosive environments, providing reliability and longevity compared to standard cameras
- A built-in wiper removes water and dust on the screen and ensures clear images when the camera is used in dusty or damp environments
- IP67 water resistant, preventing water ingress for outdoor use
- H.265+/H.265/H.264+/H.264 encoding: efficient compression technology saves storage space and reduces bandwidth requirements



▪ Specification

| Camera | |
|-----------------------------|--|
| Image Sensor | 1/1.8" Progressive Scan CMOS |
| Min. Illumination | Color: 0.0005 Lux @(F1.2, AGC ON) B/W: 0.0001 Lux @(F1.2 , AGC ON), 0 Lux with IR |
| Shutter Speed | 1/3 s to 1/100,000 s |
| Slow Shutter | Yes |
| P/N | P/N |
| Wide Dynamic Range | 120 dB |
| Day & Night | IR cut filter |
| Lens | |
| Lens Type | Motorized focal length, 2.8 to 12 mm, 8 to 32 mm |
| Focus | Auto, semi-auto, manual |
| Focal Length & FOV | 2.8 to 12 mm, F1.4: horizontal field of view, 94.2° to 38.1° 8 to 32 mm, F1.7: horizontal field of view, 42.2° to 15.1° |
| Illuminator | |
| IR Wavelength | 850 nm |
| IR Range | 2.8~12 mm: 80 m, 8~32 mm: 150 m |
| Video | |
| Max. Resolution | 2688 × 1520 |
| Main Stream | H.264/H.265: 50 Hz: 25fps (2688 × 1520, 2304 × 1296 × 1920 × 1080, 1280 × 720) 60 Hz: 30 fps (2688 × 1520, 2304 × 1296, 1920 × 1080, 1280 × 720) |
| Sub-Stream | H.264/H.265/MJPEG: 50 Hz: 25 fps (640 × 480, 640 × 360, 320 × 240) 60 Hz: 30fps (640 × 480, 640 × 360, 320 × 240) |
| Third Stream | H.264/H.265: 50 Hz: 25 fps (1280 × 720, 640 × 480, 640 × 360, 320 × 240) 60 Hz: 30 fps (1280 × 720, 640 × 480, 640 × 360, 320 × 240) |
| Video Compression | Main stream: H.265/H.264 Sub stream: H.265/H.264/MJPEG Third stream: H.265/H.264 |
| Video Bit Rate | 32 Kbps~8Mbps |
| H.264 Type | Baseline Profile/Main Profile/High Profile |
| H.265 Type | Main Profile |
| H.264+ | Main stream supports |
| H.265+ | Main stream supports |
| Bit Rate Control | CBR, VBR |
| Scalable Video Coding (SVC) | H.265 and H.264 support |
| Region of Interest (ROI) | 1 fixed regions for main stream and sub-stream |
| Audio | |
| Environment Noise Filtering | Yes |
| Audio Sampling Rate | 8 kHz/16 kHz/32 kHz/44.1 kHz/48 kHz |
| Audio Compression | G.711/G.722.1/G.726/MP2L2/PCM/AAC/MP3 |

| | |
|-------------------------|---|
| Audio Bit Rate | 64Kbps(G.711)/16Kbps(G.722.1)/16Kbps(G.726)/32-192Kbps(MP2L2)/8Kbps-320Kbps(MP3) |
| Audio Type | Mono sound |
| Network | |
| Simultaneous Live View | Up to 6 channels |
| API | Open Network Video Interface, ISAPI, SDK, Ehome |
| Protocols | TCP/IP, ICMP, HTTP, HTTPS, FTP, SFTP, DHCP, DNS, DDNS, RTP, RTSP, RTCP, PPPoE, NTP, UPnP, SMTP, SNMP, IGMP, 802.1X, QoS, IPv6, UDP, SSL/TLS |
| User/Host | Up to 32 users. 3 user levels: administrator, operator and user |
| Network Storage | MicroSD/SDHC/SDXC card (256 GB) local storage, and NAS(NFS, SMB/CIFS), auto network replenishment (ANR) Together with high-end Hikvision memory card, memory card encryption and health detection are supported. |
| Client | iVMS-4200, Hik-Connect, Hik-Central |
| Web Browser | Plug-in required live view: IE8+, Chrome41.0~44, Firefox30.0~51, Safari8.0~11 Plug-in free live view: Chrome45.0+, Firefox52.0+ Local service: Chrome 57.0+, Firefox 52.0+Not recommended: Safari 11+, Edge |
| Image | |
| Smart IR | The IR LEDs on camera should support Smart IR function to automatically adjust power to avoid image overexposure. |
| Day/Night Switch | Day, Night, Auto, Schedule |
| Target Cropping | Yes |
| Image Enhancement | BLC, HLC, 3D DNR, Defog, EIS |
| Image Parameters Switch | Yes |
| Image Settings | Rotate mode, saturation, brightness, contrast, sharpness, gain, white balance adjustable by client software or web browser |
| SNR | ≥ 50db |
| Privacy Mask | Yes |
| Interface | |
| Video Output | 1Vp-p composite output (75 Ω/BNC) |
| Ethernet Interface | RJ45 10M/100M self-adaptive Ethernet port |
| On-Board Storage | Built-in microSD/SDHC/SDXC slot, up to 256 G |
| Alarm | 1 input, 1 output |
| Hardware Reset | Yes |
| Heater | Yes |
| Wiper | Yes |
| Event | |
| Smart Event | Line crossing detection, intrusion detection, region entrance detection, region exiting detection, unattended baggage detection, object removal detection, scene change detection, defocus detection |
| Exception Detection | Network disconnected, IP address conflict, illegal login, HDD full, HDD error |
| General | |
| Camera Dimension | 179.9 mm × 203.2 mm × 472 mm (7.08" × 8" × 18.58") |
| Camera Weight | 10.95 kg (24.14 lb.) |

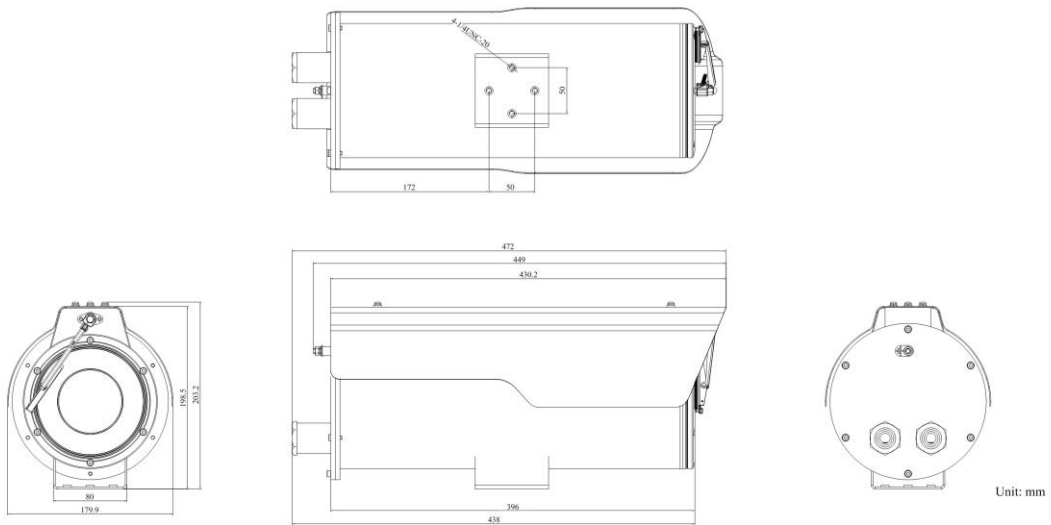
| | |
|----------------------------------|---|
| Linkage Method | Upload to FTP/NAS/memory card, notify surveillance center, send email, trigger alarm output, trigger recording, trigger capture |
| Power Consumption and Current | AC 24V: 24V ~ , 1.7A, 50/60Hz, 40W PoE: (802.3at, 42.5V-57V), 0.57 A to 0.43 A, Max: 24W |
| Power Supply | AC: 24V±20%; PoE: 802.3at |
| Startup and Operating Conditions | -40 °C to +60 °C (-40 °F to +140 °F), Humidity 95% or less (non-condensing) |
| Online Upgrade | Yes |
| Firmware Version | 5.5.153 |
| General Function | Anti-flicker, heartbeat, mirror, privacy masks, flash log, password reset via e-mail, pixel counter |
| Software Reset | Yes |
| Approval | |
| EMC | 47 CFR Part 15, Subpart B; EN 55032: 2015, EN 61000-3-2: 2014, EN 61000-3-3: 2013, EN 50130-4: 2011 +A1: 2014; AS/NZS CISPR 32: 2015; ICES-003: Issue 6, 2016; KN 32: 2015, KN 35: 2015 |
| Safety | UL 60950-1, IEC 60950-1:2005 + Am 1:2009 + Am 2:2013, EN 60950-1:2005 + Am 1:2009 + Am 2:2013, IS 13252(Part 1):2010+A1:2013+A2:2015 |
| Environment | 2011/65/EU, 2012/19/EU, Regulation (EC) No 1907/2006 |
| Protection | IP67 |
| Anti-Corrosion Protection | NEMA 4X C5-M: 720H neutral salt spray, 480H water condensation; Exterior environments: industrial areas with high humidity and aggressive atmosphere and coastal areas with high salinity; Interior environments: buildings or areas with almost permanent condensation and with high pollution. |

**You are recommended to purchase memory card together with the product if needed. After ordering, the memory card will be installed to product during manufacturing.*



▪ Available Model

DS-2XC6645G0-IZHRS

▪ Dimension



- **Accessory**
- **Optional**

| DS-1701ZJ-AC1(O S) Wall mount | DS-1284ZJ-M-AC 3(OS) Junction box |
|---|---|
|  |  |

Distributed by

**HIKVISION®****Headquarters**

No.555 Qianmo Road, Binjiang District,
Hangzhou 310051, China
T +86-571-8807-5998
overseasbusiness@hikvision.com

Hikvision USA
T +1-909-895-0400
sales.usa@hikvision.com

Hikvision Australia
T +61-2-8599-4233
salesau@hikvision.com

Hikvision India
T +91-22-28469900
sales@pramahikvision.com

Hikvision Canada
T +1-866-200-6690
sales.canada@hikvision.com

Hikvision Thailand
T +662-275-9949
sales.thailand@hikvision.com

Hikvision Europe
T +31-23-5542770
sales.eu@hikvision.com

Hikvision Italy
T +39-0438-6902
info.it@hikvision.com

Hikvision Brazil
T +55 11 3318-0050
Latam.support@hikvision.com

Hikvision Turkey
T +90 (216)521 7070- 7074
sales.tr@hikvision.com

Hikvision Malaysia
T +601-7652-2413
sales.my@hikvision.com

Hikvision UK & Ireland
T +01628-902140
sales.uk@hikvision.com

Hikvision South Africa
Tel: +27 (10) 0351172
sale.africa@hikvision.com

Hikvision France
T +33(0)1-85-330-450
info.fr@hikvision.com

Hikvision Kazakhstan
T +7-727-9730667
nikia.panfilov@hikvision.ru

Hikvision Vietnam
T +84-974270888
sales.vt@hikvision.com

Hikvision UAE
T +971-4-4432090
salesme@hikvision.com

Hikvision Singapore
T +65-6684-4718
sg@hikvision.com

Hikvision Spain
T +34-91-737-16-55
info.es@hikvision.com

Hikvision Tashkent
T +99-87-1238-9438
uzb@hikvision.ru

Hikvision Hong Kong
T +852-2151-1761
info.hk@hikvision.com

Hikvision Russia
T +7-495-669-67-99
saleru@hikvision.com

Hikvision Korea
T +82-(0)31-731-8817
sales.korea@hikvision.com

Hikvision Poland
T +48-22-460-01-50
info.pl@hikvision.com

Hikvision Indonesia
T +62-21-2933759
Sales.Indonesia@hikvision.com

Hikvision Colombia
sales.colombia@hikvision.com