

**All-Rack**<sup>TM</sup>

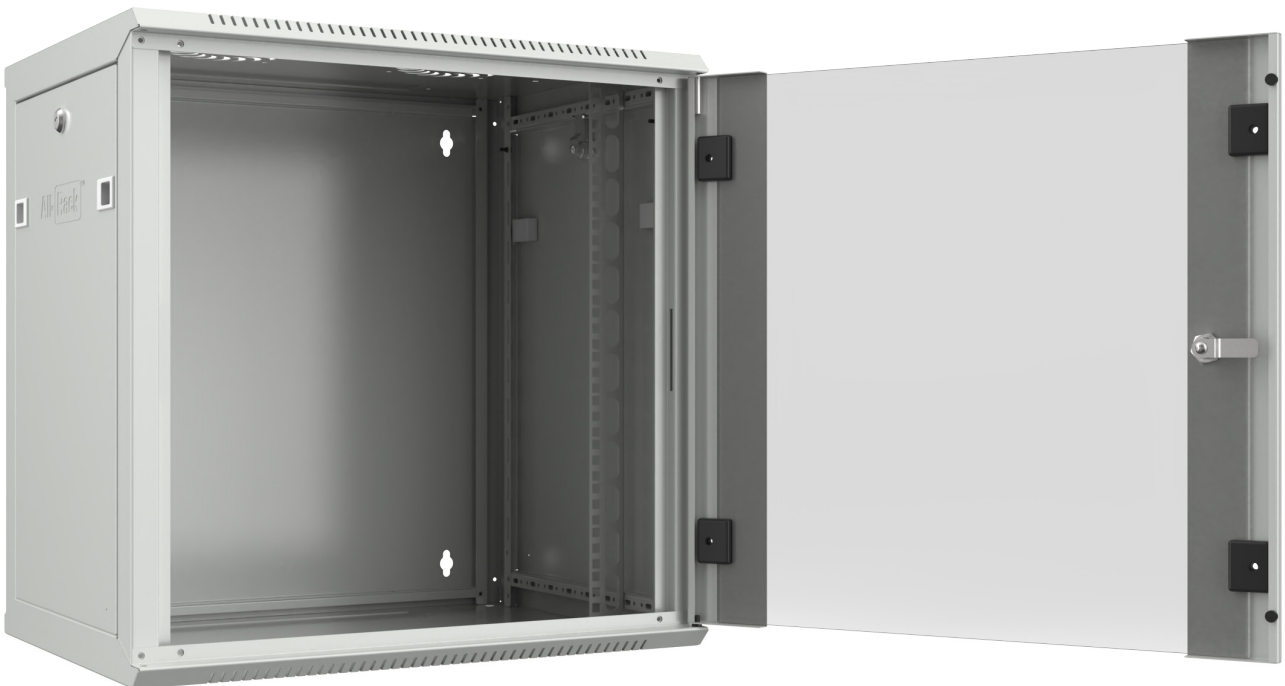


## **WALL MOUNTED CABINET**

12U - 565x550

WALL TYPE

# All-Rack™



**WALL MOUNTED CABINET**  
RAL9005 & RAL7035



## Technical Details

### Features

- Compatible with 19" rack mountable products
- Added ventilation around the cabinet
- Top & bottom cable entry
- Rear plastic cable entry
- Toughened glass front door
- Plastic locking mechanism (latches on side panels)
- Barrel locking mechanism (front door)
- Earthing terminals
- Integral cable management in mounting profiles
- Numbered and adjustable mounting profiles
- Grommets on base thus avoiding direct contact with an abrasive surface if cabinet is not wall mounted

### Dimensions

Size : 12U  
Width : 565 mm  
Height : 576 mm  
Depth : 550 mm  
Net Weight : 21.5kg  
Gross Weight : 22kg

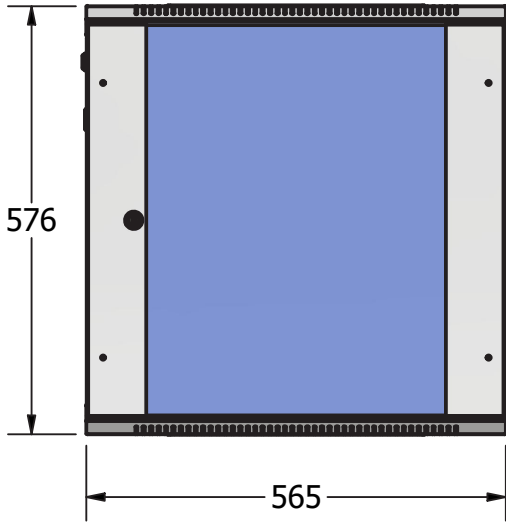
### Loading Capacity

40 kg

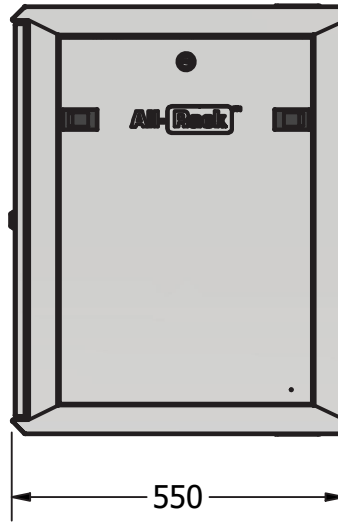
### Material

#### Steel Construction

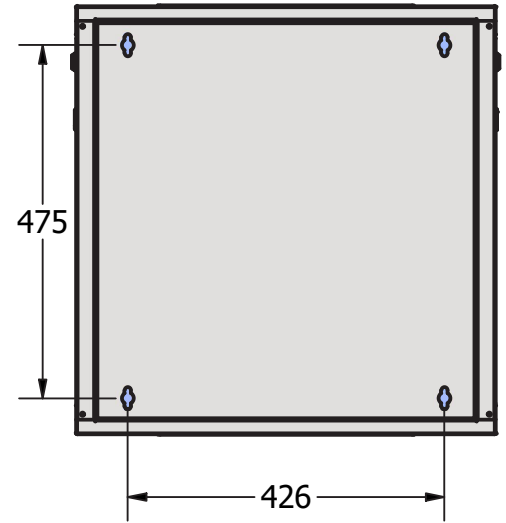
- Main body 1 mm
- Side panels 1.2 mm
- Front door: 1.2mm
- Vertical rails 1.5 mm
- Finish Surface : Powder Coating
- Color Code : RAL9005



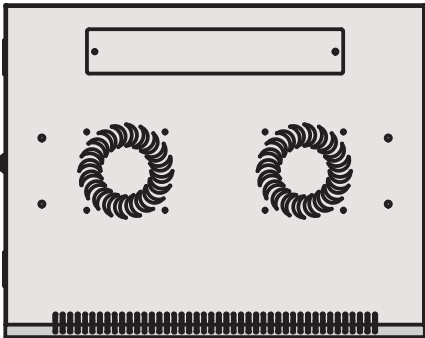
Front View



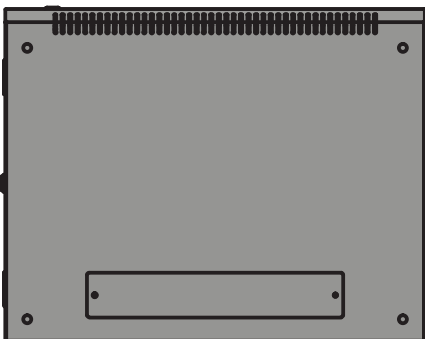
Side View



Rear View



Top View



Bottom View

### STANDARDS AND COMPLIANCES

**ISO9001:2015** Quality Management System

**IEC 297-1**, 19" Mounting Standard

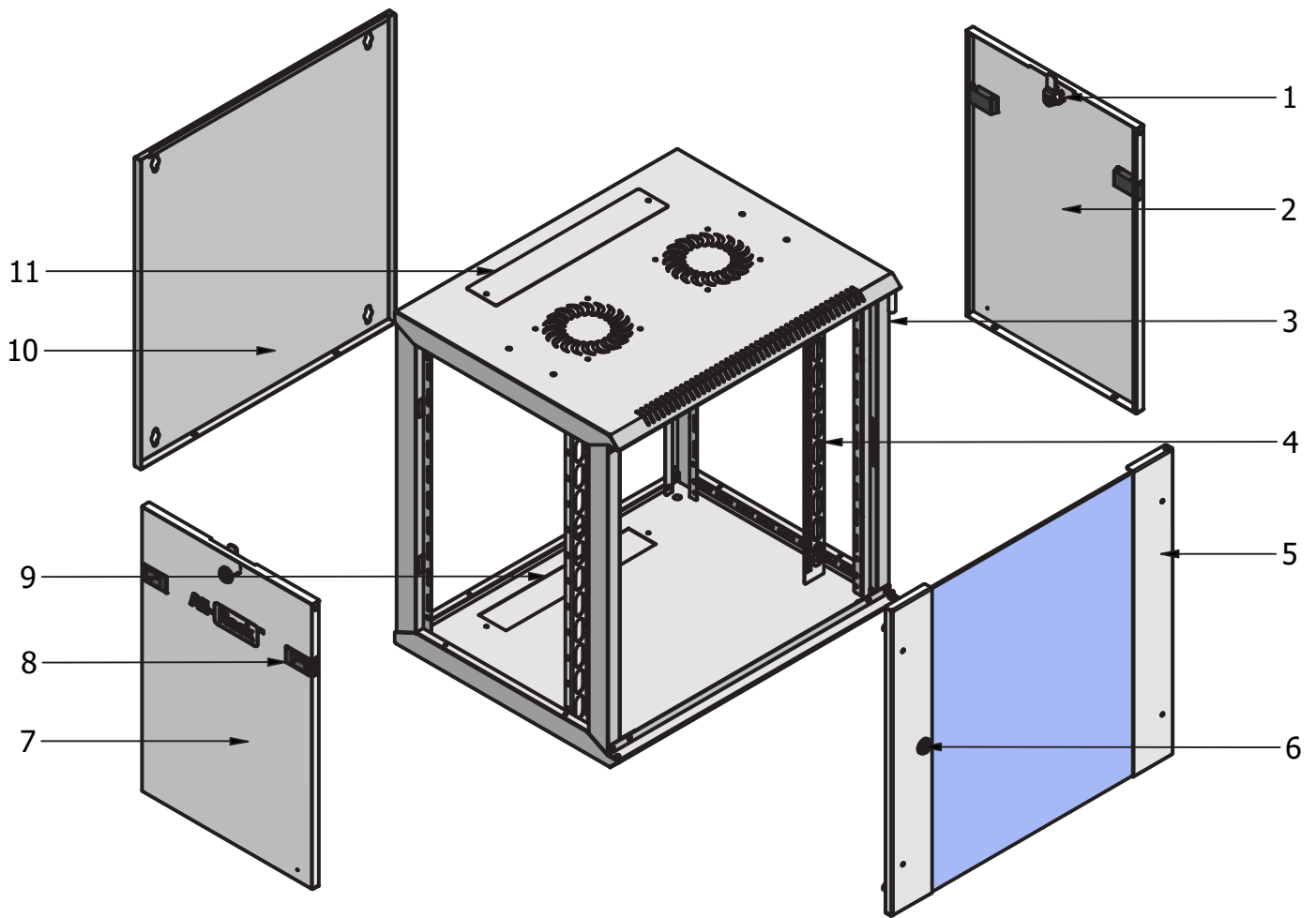
**IEC 297-2**, Overall Cabinet Dimensions

**TS EN 61587-1** Standard.

**Environment Friendly**

**%100** recyclable.





### COMPONENT LIST

| NO | PART NAME   | NO | PART NAME                              |
|----|---|----|--|
| 1  | Side Panel Barrel Lock System                           | 7  | Side Panel with embossed All-Rack logo |
| 2  | Side Panel  | 8  | Side Panel Slide Lock Latching System  |
| 3  | Cabinet Body  | 9  | Bottom Panel Cable Entry               |
| 4  | 19" Device Mounting Rail with integral cable management | 10 | Rear Panel                             |
| 5  | Toughened Glass Front Door                              | 11 | Top Panel Cable Entry                  |
| 6  | Front Door Barrel Lock System                           |    |  |



### Side Panel Lock System

Removable and lockable side panel simplifies and secures your installation, comprising of Barrel Lock and sliding spring latch mechanism.



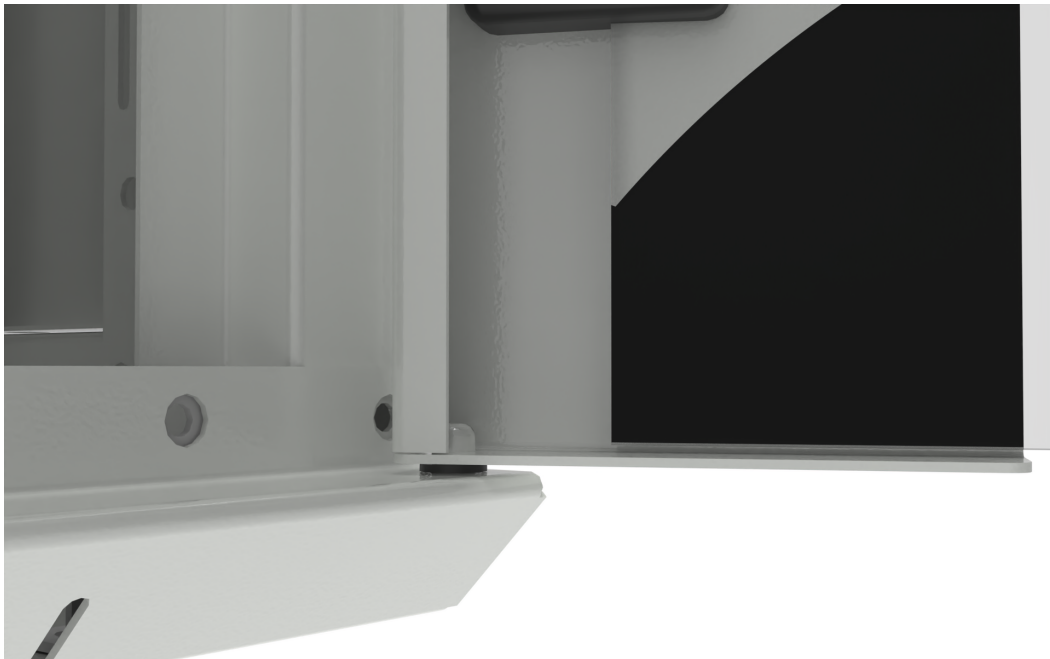
### Plastic Cable Entry

The standard configuration of the CAB12WB550BLK has a plastic knock-out cable entry on the rear



### **19" Device Mounting Rail**

Internal numbered uprights with additional built in cable management. Using standard M6 cage nuts.



Front door can be mounted on the left or right hand side using our simple spring latch fixing posts at the top. Durable Fixed grommet rings are used to keep the door on a smooth hinge on the bottom.