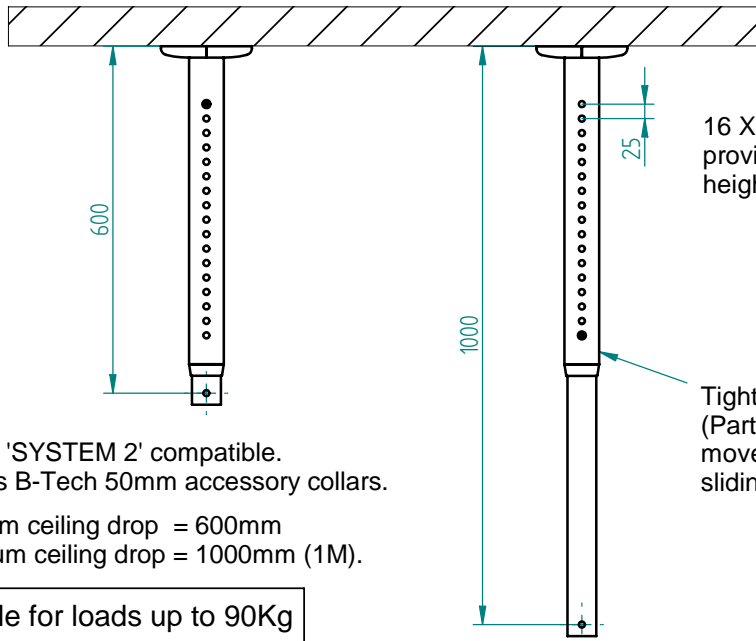




BT7851

TELESCOPIC 50MM (2") DOWN POLE



B-Tech 'SYSTEM 2' compatible.
Accepts B-Tech 50mm accessory collars.

Minimum ceiling drop = 600mm
Maximum ceiling drop = 1000mm (1M).

Suitable for loads up to 90Kg

16 X 25mm pitch holes
provide 400mm of overall
height adjustment.

Tighten grub screw
(Part 5) to eliminate
movement of the inner
sliding pole (Part 2).

IMPORTANT

NOT SUITABLE FOR WALL MOUNTING. FIXING SCREWS ARE NOT INCLUDED WITH THIS PRODUCT.
B-TECH HIGHLY RECOMMEND THIS PRODUCT BE INSTALLED BY A SUITABLY QUALIFIED PERSON.
THE INSTALLER MUST BE SATISFIED THAT THE TYPE OF FIXINGS USED ARE SUITABLE FOR THE TYPE OF CEILING THE PRODUCT IS TO BE MOUNTED TO. CARE MUST BE TAKEN AS TO WHERE THIS PRODUCT IS LOCATED AS SOME CEILINGS ARE NOT SUITABLE FOR INSTALLATION.
WHEN DRILLING HOLES, KNOWLEDGE MUST BE OBTAINED TO AVOID CONTACT WITH ANY ELECTRICAL CABLES AND/OR GAS AND WATER PIPES CONTAINED WITHIN THE CEILING.

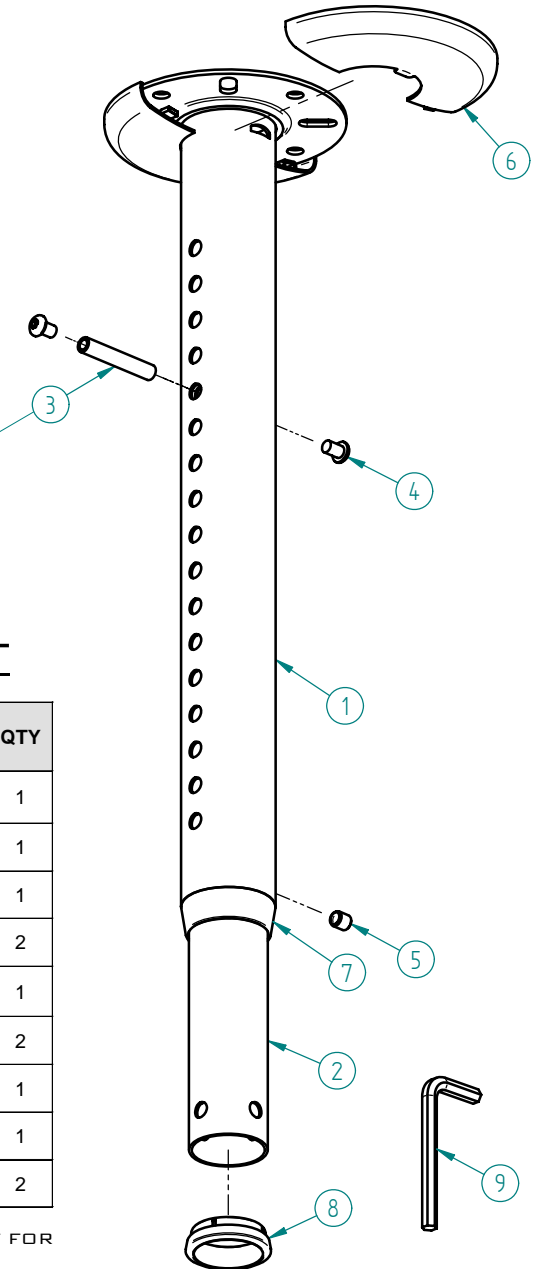
Attention!

Ensure shear pin (Part 3) is in place before any AV equipment is fitted. Two 5mm allen keys (Part 8) must be used simultaneously to tighten allen screws (Part 4).

PARTS LIST

No	PART NAME	QTY
1	OUTER TUBE ASSEMBLY	1
2	INNER SLIDING TUBE	1
3	SHEAR PIN	1
4	M8 X 12 ALLEN SCREW	2
5	M10 X 10 GRUB SCREW	1
6	COVER PLATE HALF	2
7	TAPER MOULDING	1
8	POLE END RING	1
9	5MM ALLEN KEY (4 & 5)	2

PLEASE KEEP THIS PARTS LIST FOR FUTURE REFERENCE



B-Tech International Ltd,

Long March, Daventry, Northants NN11 4NR, UK.
Tel: +44 (0)1327 300 787 Fax: +44 (0)1327 706 562
Email: info@b-tech-int.com

B-Tech PRO-AV bvba,

Brixtonlaan 32, Zaventem 1930, Brussels, Belgium.
Tel: +32 (0)2 720 92 71 Fax: +32 (0)2 725 42 15
Email: info@btechproav.com

B-Tech Audio Video Mounts,

Sparks, NV 89431, USA.
Tel: (1)800 975 5812 Fax: (1)800 592 2876
Email: info@btechavmounts.com

B-Tech International (Hong Kong) Ltd,

23rd Floor, Manulife Tower, North Point, HK.
Tel: (+852) 2556 7337 Fax: (+852) 2556 7321
Email: info@b-tech-int.com.hk