

IDEAL FOR  
CCTV  
INSTALLS

# BT5950

## Ø38MM POLE ADAPTOR

### FOR SYSTEM 2 Ø50MM CEILING MOUNTS

The BT5950 is a pole adaptor from B-Tech's System V Range; a collection of components designed for the installation of CCTV and other ceiling mounted equipment. Designed for use with BT5935 ø38mm poles, the adaptor expands the mounting flexibility of System V by allowing the use of specialist ø50mm System 2 mounts for angled ceilings, purlins, I-beams, girders and trusses. Adding compatible B-Tech mounting interfaces and accessory collars to mount CCTV dome cameras and other AV equipment such as flat screens, allows users of System V to create custom ceiling mounted solutions that suit their specific needs.

#### SPECIFICATION

External dimensions	78.5mm x 48.6mm
Colour	White

#### FEATURES

- Pole adaptor allows a System 2 ceiling mount to be fitted to a System V pole
- Ideal for use with System 2 mounts such as BT7808, BT7012, BT7017 & BT7825
- 4mm heavy duty steel supports substantial loads with minimal movement of mounted poles
- Multiple grub screws allow micro-adjustment of the pole to ensure a perfectly angled drop
- Allows cables to pass through the poles and adaptor
- Safety bolt hole ensures a secure connection to System V poles and ceiling mounts
- Create a variety of ceiling mounted CCTV installs using System V's range of components



4mm heavy duty steel supports substantial loads with minimal movement



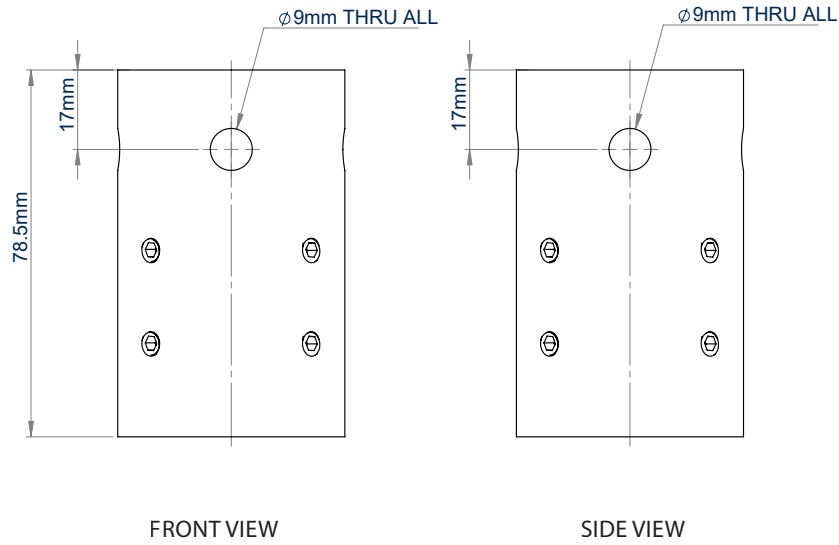
Pole adaptor allows System 2 ceiling mounts to be used with System V poles



Ideal for use with System 2 mounts such as BT7808, BT7012, BT7017 & BT7825

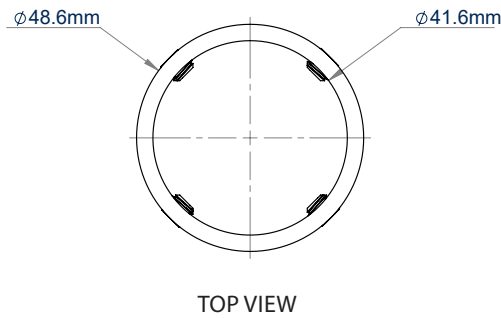


Safety bolt and grub screws secure adaptor to poles and ceiling mount



FRONT VIEW

SIDE VIEW



TOP VIEW

**PACKING INFORMATION**

COLOUR:	ORDER REF:	EAN CODE:	MASTER CARTON QTY:	INNER CARTON QTY:	MASTER CARTON WEIGHT:	MASTER CARTON CUBE:
White	BT5950/W	5019318304095	20	N/A	6.60kg	0.009cbm

**RELATED PRODUCTS**

<p><b>BT5935</b></p>	<p><b>BT5910</b></p>	<p><b>BT7808</b></p>	<p><b>BT7017</b></p>
----------------------	----------------------	----------------------	----------------------

**38mm diameter poles**  
Available in 1 metre or 2 metre lengths

**Dome Security Camera Mount**  
Carousel mount for small / medium dome CCTV cameras

**Ceiling / Wall Mount with Tilt**  
For the suspension of pole mounted solutions from flat or angled ceilings

**I-Beam / Girder Mount**  
For the suspension of pole mounted solutions from I-Beam girders

© 2015 B-Tech Professional Design & Manufacturing Ltd. All rights reserved. This information is provided for informational purposes only. It is not intended to constitute an offer or a contract. B-Tech Professional Design & Manufacturing Ltd. is not responsible for any damage or loss of data resulting from the use of this information. B-Tech Professional Design & Manufacturing Ltd. is not responsible for any damage or loss of data resulting from the use of this information. B-Tech Professional Design & Manufacturing Ltd. is not responsible for any damage or loss of data resulting from the use of this information.