


 IDEAL FOR
 CCTV
 INSTALLS

BT5920

FIXED CEILING MOUNT FOR Ø38MM POLES

The BT5920 is a ceiling mount from B-Tech's System V Range; a collection of components designed for the installation of CCTV and other ceiling mounted equipment. Based around the use of BT5935 ø38mm poles, users of System V can create custom ceiling mounted solutions that suit their specific needs, using compatible B-Tech mounting interfaces and accessory collars to mount CCTV dome cameras and other AV equipment such as flat screens.

SPECIFICATION

Max load	75kg
Drop	103mm
Ceiling plate diameter	120mm
Colour	White

FEATURES

- Allows **BT5935** ø38mm poles to be mounted from the ceiling
- Heavy duty steel capable of supporting substantial loads
- Multiple grub screws allow micro-adjustment of the pole to ensure a perfectly angled drop
- Safety bolt ensures pole and ceiling mount are securely joined
- Integrated cable management through the top or side of the mount
- Create a variety of ceiling mounted CCTV installs using System V's range of components



Attaches directly to **BT5935** ø38mm poles



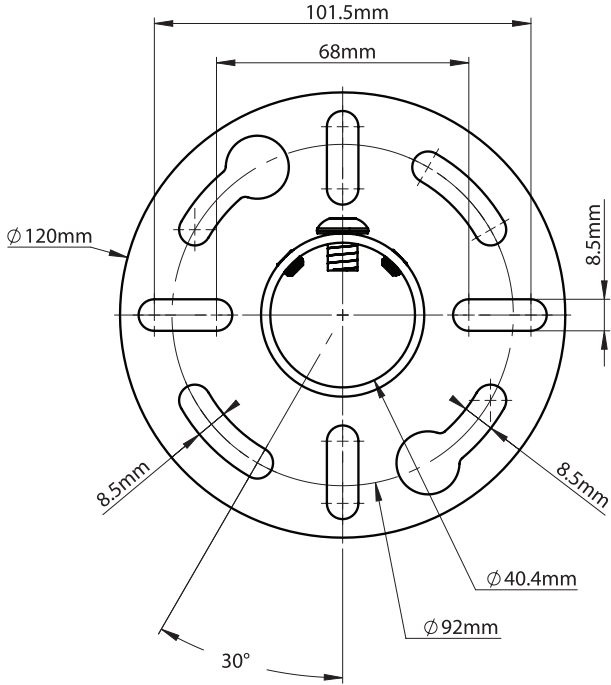
Safety bolt ensures pole and ceiling mount are securely joined



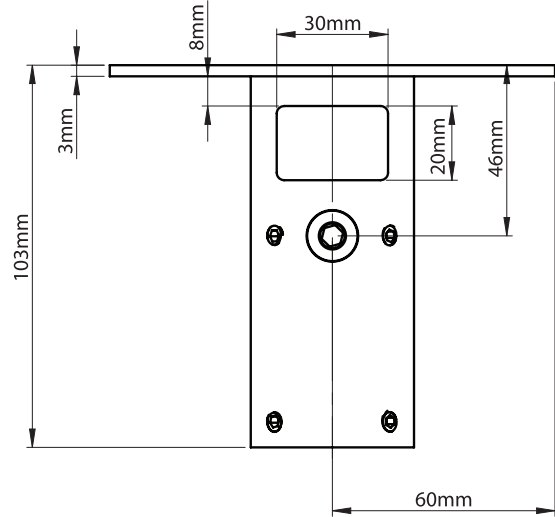
Integrated cable management through the top or side of the mount



Complete off-the-shelf kits also available (image shows BT5960-FD100)



TOP VIEW



SIDE VIEW

PACKING INFORMATION

COLOUR:	ORDER REF:	EAN CODE:	MASTER CARTON QTY:	INNER CARTON QTY:	MASTER CARTON WEIGHT:	MASTER CARTON CUBE:
White	BT5920/W	5019318304057	20	N/A	10.2kg	0.46

RELATED PRODUCTS

<p>BT5935</p>	<p>BT5910</p>	<p>BT5911</p>	<p>BT5960-FD100</p>
----------------------	----------------------	----------------------	----------------------------

38mm diameter poles
Available in 1 metre or 2 metre lengths

Dome Security Camera Mount
Carousel mount for small / medium dome CCTV cameras

Large Dome Security Camera Mount
Carousel mount for large dome CCTV cameras

CCTV Ceiling Mount for Dome Surveillance Cameras
Off-the-shelf kit

© 2015 B-Tech Professional Design & Manufacturing Ltd. All rights reserved.
We warrant the information on this website to be accurate as of the date of publication. We do not warrant the accuracy of any information on this website that is not provided by us. B-Tech Professional Design & Manufacturing Ltd. is not responsible for any errors or omissions in this information. Any reproduction or transmission of any part of this information is strictly prohibited unless prior written permission has been granted by B-Tech Professional Design & Manufacturing Ltd. Ltd.

SS-V1-BT5920-W-230321-EN