

GX250 12V External PIR Detector

For CCTV



2a Bellevue Road, Friern Barnet, London N11 3ER
T. 020 8368 7887 F. 020 8368 3952
info@luminite.co.uk

Product Overview

The GX250 12 volt wired PIR detector comes from a long line of pedigree detectors, the first of which was developed in 1984.

With constant development, many improvements have taken place over the years and today the GX250 is rated highly for performance and has a well proven track record for reliability and quality.

Now with anti-tamper the GX250 is suitable for use with CCTV and will interface with most makes of alarm systems and DVR's. A walk test socket is provided to plug in an EX6 sounder to assist with commissioning.

A choice of four models are available when ordering to provide different area coverage to suit the individual requirements.

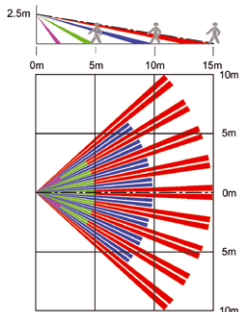
Use the GX250/15 for general wide area medium range coverage.

The GX250/40 is for long range narrow applications. Ideal for perimeter protection.

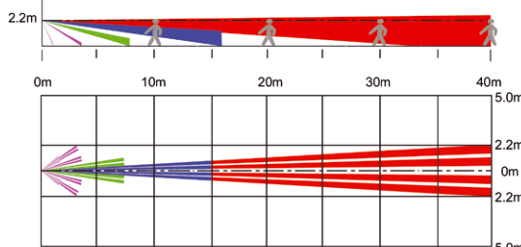
Where animals may cause nuisance tripping, use the GX250/CLH (horizontal) which does not have creep zones. This lens can also be used to look straight down a wall like invisible curtains. The GX250/CLV (vertical) can be used to look along a wall or fence while keeping close to it. This is especially useful if vehicles are sometimes parked close to the wall or fence because the beam width is only 1 metre wide.



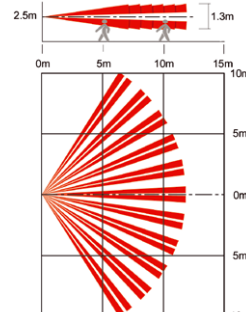
Available Detection Patterns



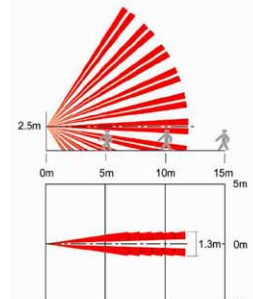
GX250/15
15m Medium range



GX250/40
40m Narrow range

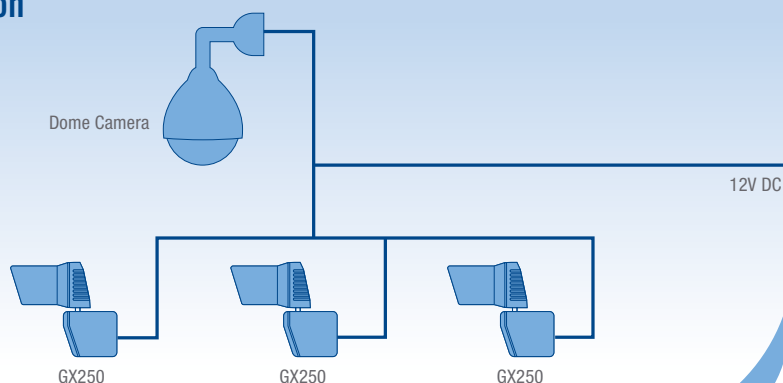


GX250/CLH
12m Horizontal Curtain

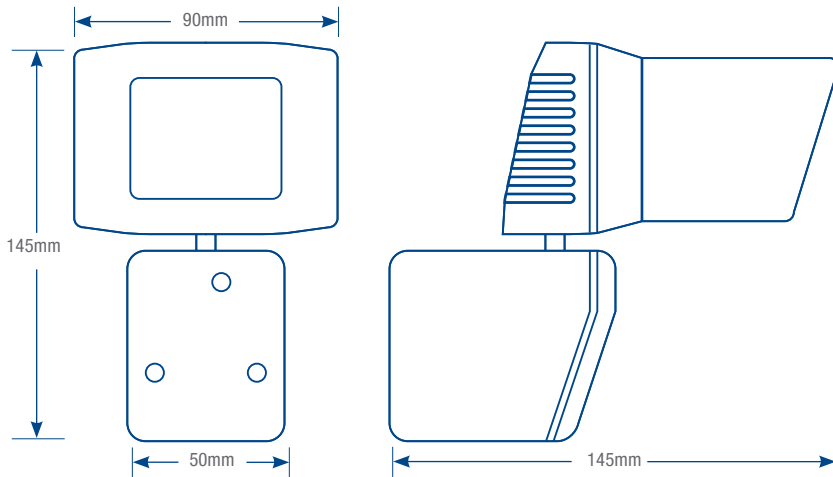


GX250/CLV
12m Vertical Curtain

Installation



Dimensions



Specifications

Supply	12V DC
Power consumption	17m/a max 7m/a min
Siting	Can be mounted in horizontal or vertical modes and adjusted to various angles
Detection	Passive Infrared
Coverage	15m Medium range 40m Narrow range 12m Horizontal curtain 12m Vertical curtain
Contacts	Volt free N/O or N/C
Contact time	2 seconds
Sensor	Dual element pyro
Compatibility	DVR and alarm systems
Test facility	EX6 Sounder
Anti tamper	Front cover
Temperature range	-10 to +60°C
Weather rating	IP65
Enclosure	Durable ABS UV stabilised housing. Colour grey. Optional colours: white or black.

