

## DS-D5022FN-C 22-inch Monitor



- Ultra-thin device body with ultra-thin border for 3 sides.
- 2 channels of 8 bit/10 bit LVDS HD (1920\*1080) display.
- 178° ultra-wide view screen.
- 3D noise reduction.
- Low blue light design for eye care.
- Dual interface of HDMI and VGA.
- Support VESA wall mount.



## ▪ Specification

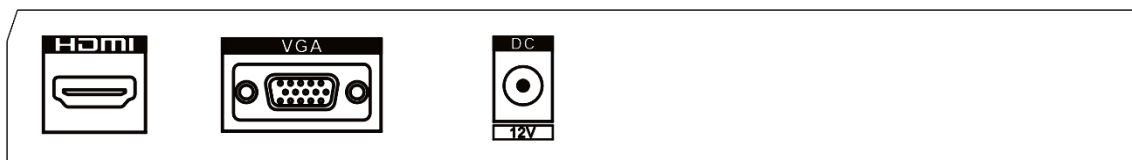
Model		DS-D5022FN-C
Display	Screen Size	21.5"
	Active Display Area	478.656 (H) mm × 260.28 (V) mm
	Resolution	1920 × 1080
	Backlight	E-LED
	Pixel Pitch	0.0831 (H) mm × 0.241 (V) mm
	Brightness	250 cd/m <sup>2</sup>
	Viewing Angle	178°/178°
	Color Depth	8 bit
	Contrast Ratio	3000 : 1
	Response Time	6.5 ms (typ)
	Refresh Rate	60 Hz
	Haze	25 %
	Reliability	7 × 16 H
	Color Gamut	72%
Interface	Video & Audio Input	HDMI 1.4 × 1, VGA × 1, Audio In × 1
Power	Power Supply	100-240 VAC, 50/60 Hz
	Power Consumption	≤ 22 W
	Standby Consumption	≤ 0.5 W
Working Environment	Working Temperature	0 °C to 40 °C (32 °F to 104 °F)
	Working Humidity	20% to 90% RH (Non-Condensing)
	Storage Temperature	-20 °C to 60 °C (-4 °F to 140 °F)
	Storage Humidity	10% to 90% RH (Non-Condensing)
General	Casing Material	Plastic
	VESA	75 mm × 75 mm, 4-M6 × 6 screw holes
	Bezel Width	1.88 mm (top/left/right), 19 mm (bottom)
	Product Dimensions (W × H × D)	With base: 492.356 (W) mm × 390.11 (H) mm × 200.20 (D) mm (19.38" × 15.36" × 7.88") Without base: 492.356 (W) mm × 289.680 (H) mm × 43.88 (D) mm (19.38" × 11.40" × 1.73")

Package Dimensions (W × H × D)	647 (W) mm × 111 (H) mm × 406 (D) mm (25.49" × 4.37" × 15.99")
Net Weight	2.6 ± 0.5 kg (5.7 ± 1.1 lb.)
Gross Weight	4.0 ± 0.5 kg (8.8 ± 1.1 lb.)
Packing List	Monitor ×1, AC power cable × 1, base bracket × 1, user manual × 1, quick start guide × 1, HDMI cable × 1
Remarks	*The base is included by default. *The product appearance and parameters in this specification may vary from your actual device. Please consult our local sales staff for further information.

## ▪ Available Model

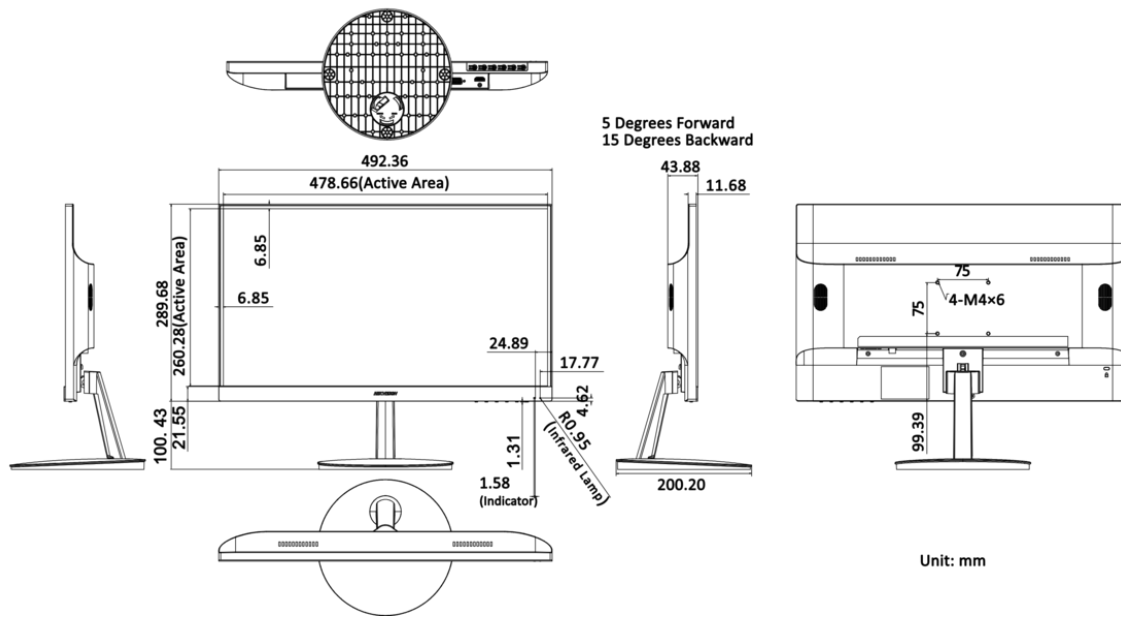
DS-D5022FN-C

## ▪ Physical Interface



Interface	Description
HDMI	HDMI digital signal input
VGA	VGA analog signal input
AC 100-240V~	100-240 VAC power supply
AUDIO IN	3.5mm Audio Input

## Dimension



Distributed by



## HIKVISION®

### Headquarters

No.555 Qianmo Road, Binjiang District,  
Hangzhou 310051, China  
T +86-571-8807-5998  
overseasbusiness@hikvision.com

**Hikvision USA**  
T +1-909-895-0400  
sales.usa@hikvision.com

**Hikvision Australia**  
T +61-2-8599-4233  
salesau@hikvision.com

**Hikvision India**  
T +91-22-28469900  
sales@pramahikvision.com

**Hikvision Canada**  
T +1-866-200-6690  
sales.canada@hikvision.com

**Hikvision Thailand**  
T +662-275-9949  
sales.thailand@hikvision.com

**Hikvision Europe**  
T +31-23-5542770  
sales.eu@hikvision.com

**Hikvision Italy**  
T +39-0438-6902  
info.it@hikvision.com

**Hikvision Brazil**  
T +55 11 3318-0050  
Latam.support@hikvision.com

**Hikvision Turkey**  
T +90 (216)521 7070- 7074  
sales.tr@hikvision.com

**Hikvision Malaysia**  
T +601-7652-2413  
sales.my@hikvision.com

**Hikvision UK & Ireland**  
T +01628-902140  
sales.uk@hikvision.com

**Hikvision South Africa**  
Tel: +27 (10) 0351172  
sale.africa@hikvision.com

**Hikvision France**  
T +33(0)1-85-330-450  
info.fr@hikvision.com

**Hikvision Kazakhstan**  
T +7-727-9730667  
nikia.panfilov@hikvision.ru

**Hikvision Vietnam**  
T +84-974270888  
sales.vt@hikvision.com

**Hikvision UAE**  
T +971-4-4432090  
salesme@hikvision.com

**Hikvision Singapore**  
T +65-6684-4718  
sg@hikvision.com

**Hikvision Spain**  
T +34-91-737-16-55  
info.es@hikvision.com

**Hikvision Tashkent**  
T +99-87-1238-9438  
uzb@hikvision.ru

**Hikvision Hong Kong**  
T +852-2151-1761  
info.hk@hikvision.com

**Hikvision Russia**  
T +7-495-669-67-99  
saleru@hikvision.com

**Hikvision Korea**  
T +82-(0)31-731-8817  
sales.korea@hikvision.com

**Hikvision Poland**  
T +48-22-460-01-50  
info.pl@hikvision.com

**Hikvision Indonesia**  
T +62-21-2933759  
Sales.Indonesia@hikvision.com

**Hikvision Colombia**  
sales.colombia@hikvision.com