

HIKVISION

How to extend the alarm number of netra DVR/NVR

with DS-1901I alarm box

2014-7-16

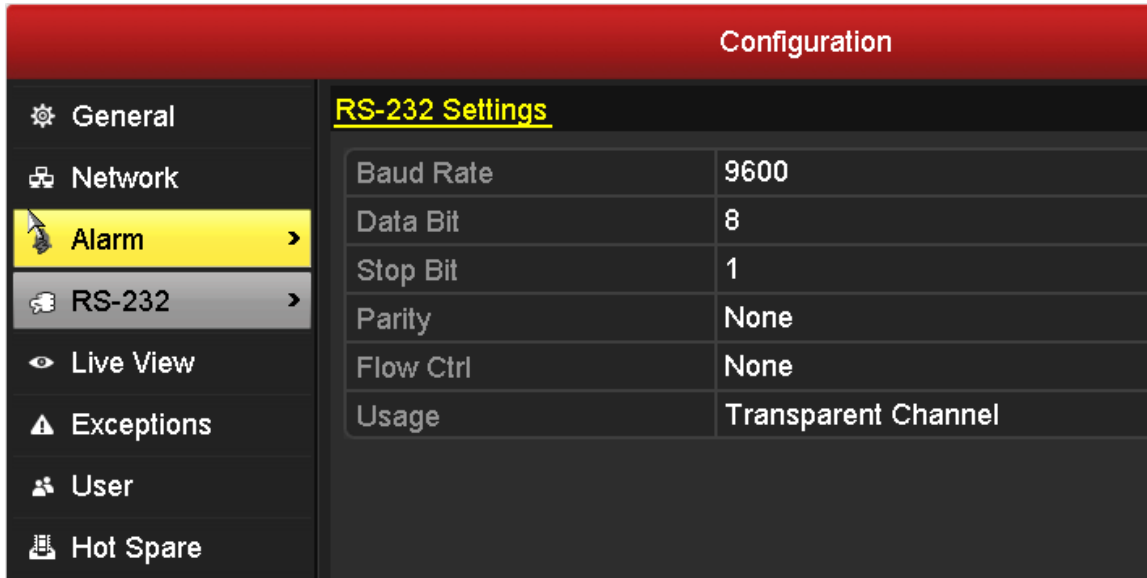
DVR/NVR Side:

Step 1:

Upgrade the DVR/NVR with the special firmware and reboot it.

Steps 2:

Finish RS232 settings as shown below



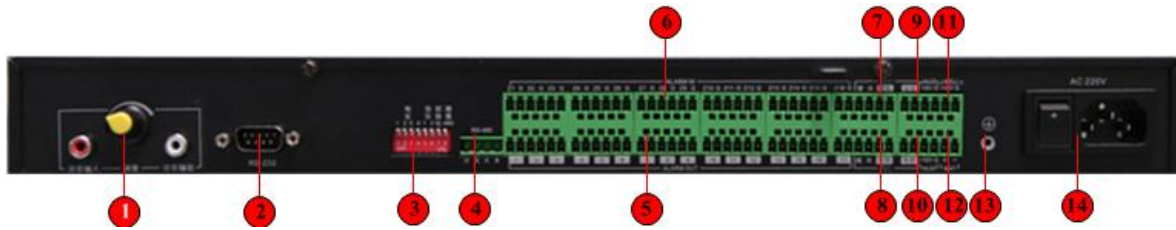
About Alarm Box DS-1901I

Front Panel



No.	Name	Function description
1	Alarm Output	Alarm output indicator lights when there is alarm output.
2	Alarm Input	Alarm input indicator lights when there is alarm input.
3	Power	Power indicator lights when alarm box is powered up.
4	Status	Indicator flickers when alarm box works correctly.
5	Arm	Arm indicator lights when there is alarm armed.
6	Disarm	Disarm indicator lights when all alarms disarmed.
7	Exception	Exception indicator lights when alarm box error.
8	Access control	reserved
9		
10	Tx/Rx	RS485, RS232 transmission indicator

Rear Panel



No.	Name	Function description	
1	Audio	Audio input	RCA interface for audio input
		Volume	Adjust volume, clockwise to turn up; anticlockwise to turn down.
		Audio output	RCA interface for audio output. Max output consumption: 5W.
2	RS-232		Connector for RS232 device, it's used for device maintenance and parameter settings. When connected to DVR/NVR, it can extend the alarm number of DVR/NVR
3	DIP Switch	Address	Used for device cascading. When all these 4 switches turn to OFF, the device hardware address is 0x00, you can set software address between 1~
		Protocol	Used to set RS-232 communication protocol
		Default	Used to default the device parameters.
		Terminal resister	Terminal resister switch for RS-485. The default settings is unconnected (Switch turns Up); when switch turn down, the 120 Ω resister is connected
4	RS-485 interface		Connector for RS-485 device
5	Alarm output	Alarm output	Alarm output (16-ch ON-OFF output)
6	Alarm input	Alarm input	Alarm input (16-ch ON-OFF input)
7	Access control 1		Reserved
8	Access control 2		Reserved
9	AUX5V	5VDC output	Power output 5V/1A
10	AUX12V	12VDC output	Power output 12V/1A
11	BELL	Bell	Power output 12V

12	BAT	Storage battery	Connector for Storage battery
13	Ground		Ground
14	Power switch		Power on/off

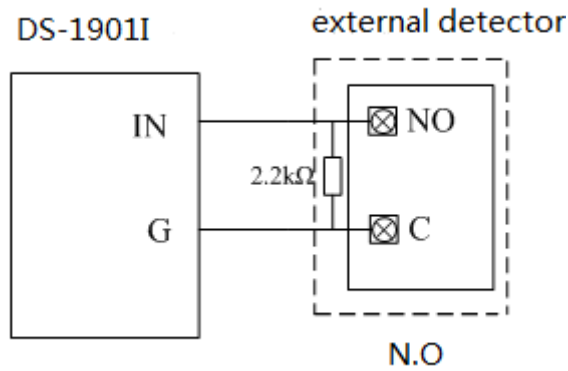
Alarm input wiring



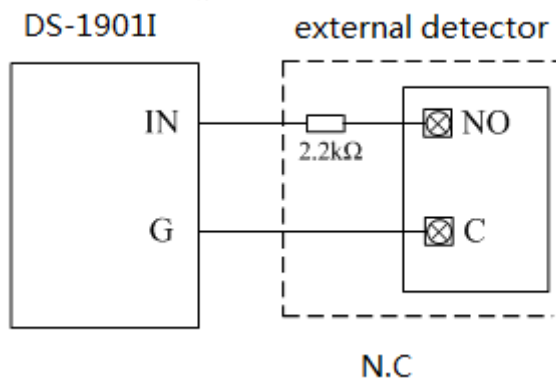
Alarm input is the connectors for external detector. When the resistor between the alarm input is $2.2k\Omega$, the alarm input won't be triggered; else, the alarm input is triggered.

You can find the $2.2k\Omega$ resistors with the alarm box.

When the external detector is N.O (close when triggered; open when not triggered), please refer to below:



When the external detector is N.C (open when triggered; close when not triggered), please refer to below:



Alarm box side

Step 1:

Connect the alarm box with DVR via RS232 cable.

Step 2:

Connect power supply cable with alarm box and power on

Step 3:

Go to DVR/NVR local Menu> Configuration> Alarm> Alarm Input/ Output to check the alarm number of the DVR/NVR.

If you have any other questions or requests, please contact regional technical support for further assistance.

HIKVISION UK Team.

EU technical support center: +44 (0)808 134 9934

UK technical support email: chenchu@hikvision.com